

HV Series

HS

PC Series

PF Series

RS Series



**SERVICE
HOTLINE**

If you need any technical or service parts support on our products,
please contact this web page.

www.sakainet.co.jp/en/

WALK-BEHIND ROLLER

HV520·620 / HV58 / HV80·80ST / HS67ST



HV520·620

Easy to handle and highly efficient for compaction of soil and asphalt on all types of job sites



Head light



Locking pin for folding handle



Large diameter and chained water cap



Safety brake knob (dead man's handle)



Hour meter



Foot light (Option)

Special Mention!



One-touch open covers for easy maintenance



Water hammer protection muffler

High Efficiency

- Small wall clearance and ample curb clearance allow the closest possible approach to any obstacles.
- All commands for operating the machine are centralized and can be made from the operation handle.
- Improving fuel consumption by 10% (vs. HV51ST / 61ST)
- Increasing capacity of sprinkler tank (30 L → 35 L) (vs. SAKAI's past model)
- Super silent (Sound power level : 94 dB)



NEW

HV58 high compaction

Increased centrifugal force up to 20%



HS67ST



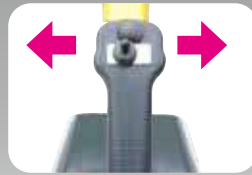
HV80



Head light
(standard for HV58, HS67ST)



Full-open type cover for easy maintenance



Power steering (HS67ST)
Steering angle: +/- 15 degrees

Option



Foot light



Head light (HV80ST)

High Efficiency

- Easily adjustable sprinkler system and wide water pipes splashes water onto both drums from edge to edge.
- Open type side guard protects the engine from obstacles and allows easy access for maintenance of the engine.
- The HS model is equipped with a power steering system that allows the front drum to turn 15 degrees to the left and right with a single switch operation.

PLATE COMPACTOR

PC43 / PC53 / PC63 / PC100 / PC800

PC Series

Full range of plate compactors for any materials and any job sites



Highly durable high tension steel plate

180 degrees rotatable plate



Compaction plate can be turned 180 degrees to prolong the service life.



Engine guard with lifting point (except PC100)

Safety Provisions

- Sakai's original rubber shock-absorbers assure easy handling and comfortable operation.
- Hand-arm vibration is reduced by 30% (for PC43, 53, 63).

High Efficiency

- Highly durable high tension steel plate assures long service life and perfect compaction on any job site.

Option



Sprinkler System (standard for PC800)



Transport wheels



Throttle lever



Foldable handle



Simple transport wheels

REVERSIBLE PLATE COMPACTOR

PF150 / PF281

PF Series

Smooth and steady running with dynamic compacting force delivers high productivity at any job sites



Hydrostatic operation lever



Guard bar



Fully sealed belt-cover

Safety Provisions

- Guard bar protects the machine and engine from any damages at job site or during transportation.
- SAKAI original rubber isolators assures comfortable operation and easy control.

High Efficiency

- Newly designed body frame promises smooth and steady compaction for high productivity.
- Hydrostatic operation lever assures easy and quick forward-reverse movements.

Easy Maintenance

- Fully sealed belt-cover protects belt from harmful gravels and assures long service life.

RAMMER

RS45 / RS55 / RS65 / RS75

RS Series

Covering the full range, from the lightest class in the world to heavy duty weight class for a variety of job sites



Shoe with tapered front corner



Guard bar with lifting point



Original large size rubber isolators for easy control and comfortable operation



One throttle lever
(Engine-off, Fuel-off, Throttle adjustment)



UV protected fuel tank



Multi air cleaner system for long interval of engine maintenance

Option



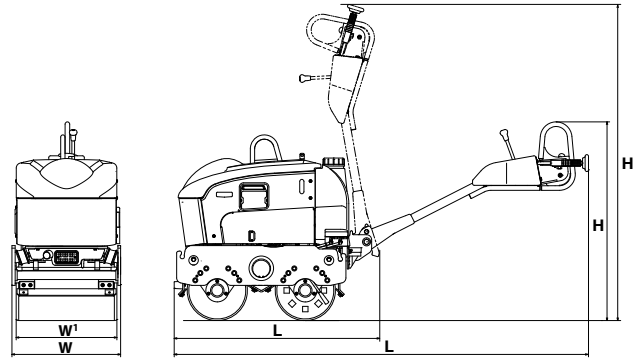
Hand cart



Transport wheels

SPECIFICATIONS

WALK-BEHIND ROLLER



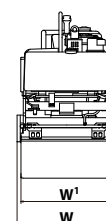
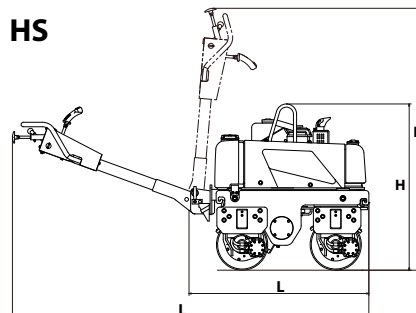
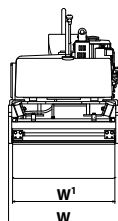
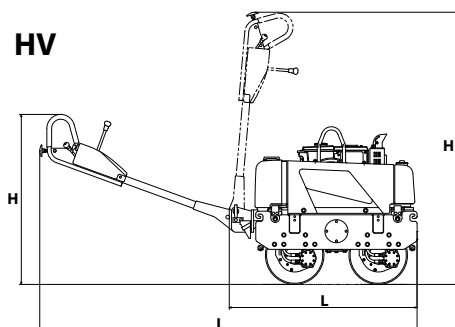
MODEL			HV520	HV620
CHASSIS MODEL			5HV22	5HV23
WEIGHTS	Max. operating weight	kg (lbs)	620 (1,365)	640 (1,410)
	Operating weight	kg (lbs)	600 (1,320)	620 (1,365)
PERFORMANCE	Centrifugal force	kN (lbs) [kgf]	9.8 (2,205) [1,000]	11.8 (2,650) [1,200]
	Frequency	Hz (vpm)	60 (3,600)	
	Speed range (Forward & Reverse)	km/h (mph)	0-3.0 (0-1.9)	
	Gradeability	% (°)	38 (21)	
DIMENSIONS	Overall length [fold/unfold] L	mm (in)	1,210 / 2,450 (48 / 96.5)	
	Overall width W	mm (in)	640 (25.2)	695 (27.4)
	Overall height [fold/unfold] H	mm (in)	1,865 / 1,175 (73.4 / 46.3)	
	Compaction width W¹	mm (in)	595 (23.4)	650 (25.6)
ENGINE	Make / Model		KUBOTA / E75-E3-NB3	
	Type		Diesel, Water cooled, 4 cycle, 1 cylinder	
	Max. output	kW(HP)/min ⁻¹	4.2 (5.6) / 2,100	
	Starting system		Electric starter	
POWER LINE	Transmission		Hydrostatic	
	Drive wheel		All wheel	
VIBRATION SYSTEM			Eccentric shaft type	
BRAKE SYSTEM	Service brake		Dynamic brake through hydrostatic drive system (F-N-R lever)	
	Parking brake		Mechanical pin lock type (Lever)	
FULUID CAPACITY	Fuel tank	L (gal)	4.8 (1.3)	
	Sprinkler tank (Gravity)	L (gal)	35 (9.2)	
HOURLY METER			○	
FRONT LIGHTING SYSTEM			○	
FOOT LIGHTING SYSTEM			OPTION	
POWER STEERING			-	

MODEL			HV58
CHASSIS MODEL			5HV25
WEIGHTS	Max. operating weight	kg (lbs)	615 (1,355)
	Operating weight	kg (lbs)	595 (1,310)
PERFORMANCE	Centrifugal force	kN (lbs) [kgf]	11.8 (2,650) [1,200]
	Frequency	Hz (vpm)	60 (3,600)
	Speed range (Forward & Reverse)	km/h (mph)	0-3.0 (0-1.9)
	Gradeability	% (°)	38 (21)
DIMENSIONS	Overall length [fold/unfold] L	mm (in)	1,210 / 2,450 (48 / 96.5)
	Overall width W	mm (in)	640 (25.2)
	Overall height [fold/unfold] H	mm (in)	1,865 / 1,175 (73.4 / 46.3)
	Compaction width W¹	mm (in)	595 (23.4)
ENGINE	Make / Model		KUBOTA / E75-E3-NB3
	Type		Diesel, Water cooled, 4 cycle, 1 cylinder
	Max. output	kW(HP)/min ⁻¹	4.2 (5.6) / 2,100
	Starting system		Electric starter
POWER LINE	Transmission		Hydrostatic
	Drive wheel		All wheel
VIBRATION SYSTEM			Eccentric shaft type
BRAKE SYSTEM	Service brake		Dynamic brake through hydrostatic drive system (F-N-R lever)
	Parking brake		Mechanical pin lock type (Lever)
FULUID CAPACITY	Fuel tank	L (gal)	4.8 (1.3)
	Sprinkler tank (Gravity)	L (gal)	35 (9.2)
HOURLY METER			○
FRONT LIGHTING SYSTEM			○
FOOT LIGHTING SYSTEM			OPTION
POWER STEERING			-

- * Specified figures have a tolerance of ±5%.
- * All specifications may be changed without notice.
- * Specified figures are in SI Units, followed by their equivalent in English units of measurement in parentheses.
- * Max. operating weight : Fuel = 100%, water = 100%
- * Operating weight : Fuel = 50%, water = 50%
- * Max. Output shows Maximum output in catalogue of engine manufacturer. It does not always mean max. under operation of the machine.
- * The photos may contain optional equipment and/or attachment.

SPECIFICATIONS

WALK-BEHIND ROLLER



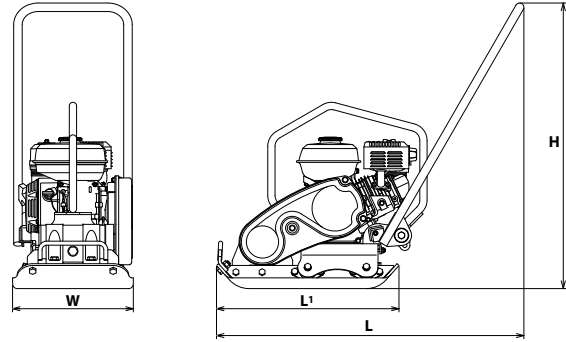
MODEL			HV80ST		HV80ST		HV80	
CHASSIS MODEL			VHV14		VHV14		VHV14	
WEIGHTS	Max. operating weight	kg (lbs)	770 (1,695)		780 (1,720)		760 (1,675)	
	Operating weight	kg (lbs)	750 (1,655)		760 (1,675)		740 (1,630)	
PERFORMANCE	Centrifugal force	kN (lbs) [kgf]	15.7 (3,530) [1,600]					
	Frequency	Hz (vpm)	55 (3,300)					
	Speed range (Forward & Reverse)	km/h (mph)	0-3.5 (0-2.2)					
	Gradeability	% (°)	38 (21)					
DIMENSIONS	Overall length [fold/unfold] L	mm (in)	1,340 / 2,620 (52.8 / 103.1)					
	Overall width W	mm (in)	770 (30.3)					
	Overall height [fold/unfold] H	mm (in)	1,890 / 1,215 (74.4 / 47.8)		1,895 / 1,180 (74.6 / 46.5)			
	Compaction width W'	mm (in)	710 (28)					
ENGINE	Make / Model		YANMAR / L100V1-RESAYI		KUBOTA / EA8-NB		KUBOTA / EA8-N	
	Type		Diesel, Air cooled, 4 cycle, 1 cylinder		Diesel, Water cooled, 4 cycle, 1 cylinder			
	Max. output	kW(HP)/min ⁻¹	5.0 (6.7) / 2,500		5.7 (7.6) / 2,500			
	Starting system		Electric starter / Manual starter				Manual starter	
POWER LINE	Transmission		Hydrostatic					
	Drive wheel		All wheel					
VIBRATION SYSTEM		Eccentric shaft type						
BRAKE SYSTEM	Service brake		Dynamic brake through hydrostatic drive system (F-N-R lever)					
	Parking brake		Mechanical pin lock type (Lever)					
FULUID CAPACITY	Fuel tank	L (gal)	5.4 (1.4)		7.5 (2.0)			
	Sprinkler tank (Gravity)	L (gal)	40 (10.6)					
HOURLY METER		-						
FRONT LIGHTING SYSTEM		OPTION						
FOOT LIGHTING SYSTEM		OPTION						
POWER STEERING		-						

MODEL			HS67ST		
CHASSIS MODEL			5HS2	5HS2	5HS2
WEIGHTS	Max. operating weight	kg (lbs)	750 (1,655)	740 (1,630)	720 (1,585)
	Operating weight	kg (lbs)	730 (1,610)	720 (1,585)	700 (1,545)
PERFORMANCE	Centrifugal force	kN (lbs) [kgf]	11.8 (2,650) [1,200]		
	Frequency	Hz (vpm)	55 (3,300)		
	Speed range (Forward & Reverse)	km/h (mph)	0-3.5 (0-2.2)		
	Gradeability	% (°)	38 (21)		
DIMENSIONS	Overall length [fold/unfold] L	mm (in)	1,290 / 2,475 (50.8 / 97.4)		
	Overall width W	mm (in)	685 (27)		
	Overall height [fold/unfold] H	mm (in)	1,825 / 1,155 (71.9 / 45.5)		1,825 / 1,255 (71.9 / 49.4)
	Compaction width W'	mm (in)	635 (25)		
ENGINE	Make / Model		KUBOTA / E75-E3-NB3	YANMAR / L70V6-RESAYI	HONDA / GX390
	Type		Diesel, Water cooled, 4 cycle, 1 cylinder	Diesel, Air cooled, 4 cycle, 1 cylinder	Gasoline, Air cooled, 4 cycle, 1 cylinder
	Max. output	kW(HP)/min ⁻¹	4.6 (6.2) / 2,500	4.8 (6.4) / 3,600	7.0 (9.4) / 3,600
	Starting system		Electric starter		
POWER LINE	Transmission		Hydrostatic		
	Drive wheel		All wheel		
VIBRATION SYSTEM		Eccentric shaft type			
BRAKE SYSTEM	Service brake		Dynamic brake through hydrostatic drive system (F-N-R lever)		
	Parking brake		Mechanical pin lock type (Lever)		
FULUID CAPACITY	Fuel tank	L (gal)	4.8 (1.3)	3.3 (0.9)	6.1 (1.6)
	Sprinkler tank (Gravity)	L (gal)	30 (7.9)		
HOURLY METER		-			
FRONT LIGHTING SYSTEM		○			
FOOT LIGHTING SYSTEM		OPTION			
POWER STEERING		○			

- * Specified figures have a tolerance of ±5%.
- * All specifications may be changed without notice.
- * Specified figures are in SI Units, followed by their equivalent in English units of measurement in parentheses.
- * Max. operating weight : Fuel = 100%, water = 100%
- * Operating weight : Fuel = 50%, water = 50%
- * Max. Output shows Maximum output in catalogue of engine manufacturer. It does not always mean max. under operation of the machine.
- * The photos may contain optional equipment and/or attachment.

SPECIFICATIONS

PLATE COMPACTOR



MODEL			PC43	PC53	PC63
CHASSIS MODEL			5PC34	5PC35	5PC36
WEIGHTS	Max. operating weight	kg (lbs)	48 (106)	55 (121)	64 (141)
	Operating weight	kg (lbs)	47 (104)	54 (119)	63 (139)
PERFORMANCE	Centrifugal force	kN (lbs) [kgf]	6.4 (1,440) [650]	9.0 (2,030) [920]	10.8 (2,425) [1,100]
	Frequency	Hz (vpm)	96.7 (5,800)		
	Working speed	m/min (ft/min)	20-25 (66-82)		
DIMENSIONS	Overall length L	mm (in)	850 (33)	905 (36)	915 (36)
	Overall width W	mm (in)	298 (12)	340 (13.5)	360 (14)
	Overall height H	mm (in)	790 (31)	845 (33)	850 (34)
	Vibrating plate W x L'	mm (in)	298 x 480 (12 x 19)	340 x 530 (13.5 x 21)	360 x 545 (14 x 21.5)
ENGINE	Make / Model		HONDA / GX100		HONDA / GX120
	Type		Gasoline, Air cooled, 4 cycle, 1 cylinder		
	Max. output	kW(HP)/min ⁻¹	2.2 (3.0) / 3,800		2.8 (3.8) / 3,800
	Starting system		Recoil starter		
VIBRATION SYSTEM			Eccentric shaft type		
FLUID CAPACITY	Fuel tank	L (gal)	0.77 (0.2)		2.0 (0.53)
SPRINKLER SYSTEM			OPTION		
ROTATING PLATE			○		
BODY PROTECTION GUARD			○		
SIMPLE TRANSPORT WHEELS			OPTION		
TRANSPORT WHEELS			OPTION		
FOLDABLE HANDLE			OPTION		
THROTTLE LEVER			OPTION		

MODEL			PC100	PC800
CHASSIS MODEL			VPC14	VPC23
WEIGHTS	Max. operating weight	kg (lbs)	104 (229)	109 (240)
	Operating weight	kg (lbs)	103 (227)	102 (225)
PERFORMANCE	Centrifugal force	kN (lbs) [kgf]	16.7 (3,750) [1,700]	16.2 (3,640) [1,650]
	Frequency	Hz (vpm)	96.7 (5,800)	97 (5,820)
	Working speed	m/min (ft/min)	21-25 (69-82)	25-30 (82-98)
DIMENSIONS	Overall length L	mm (in)	1,050 (41.3)	915 (36)
	Overall width W	mm (in)	480 (18.9)	500 (19.7)
	Overall height H	mm (in)	910 (35.8)	960 (37.8)
	Vibrating plate W x L'	mm (in)	480 x 575 (18.9 x 22.6)	500 x 585 (19.7 x 23)
ENGINE	Make / Model		YANMAR / L48N6 - VSAYI	HONDA / GX160
	Type		Diesel, Air cooled, 4 cycle, 1 cylinder	Gasoline, Air cooled, 4 cycle, 1 cylinder
	Max. output	kW(HP)/min ⁻¹	3.5 (4.7) / 3,600	4.0 (5.4) / 4,000
	Starting system		Recoil starter	
VIBRATION SYSTEM			Eccentric shaft type	
FLUID CAPACITY	Fuel tank	L (gal)	2.4 (0.63)	3.6 (0.95)
SPRINKLER SYSTEM			OPTION	
ROTATING PLATE			○	
BODY PROTECTION GUARD			-	
SIMPLE TRANSPORT WHEELS			-	
TRANSPORT WHEELS			OPTION	
FOLDABLE HANDLE			OPTION	
THROTTLE LEVER			OPTION	

* Specified figures have a tolerance of ±5%.

* All specifications may be changed without notice.

* Specified figures are in SI Units, followed by their equivalent in English units of measurement in parentheses.

* Max. operating weight : Fuel = 100%, water = 100%

* Operating weight : Fuel = 50%, water = 50%

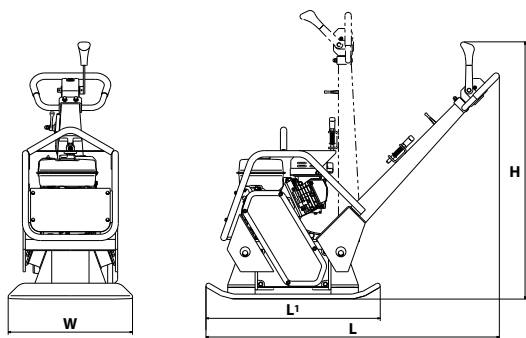
* Max. Output shows Maximum output in catalogue of engine manufacturer. It does not always mean max. under operation of the machine.

* The photos may contain optional equipment and/or attachment.

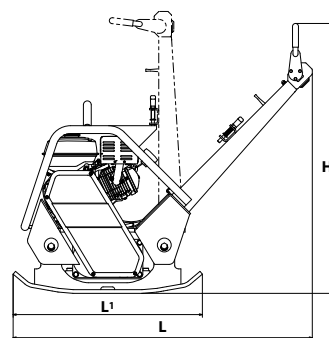
SPECIFICATIONS

REVERSIBLE PLATE COMPACTOR

PF150



PF281

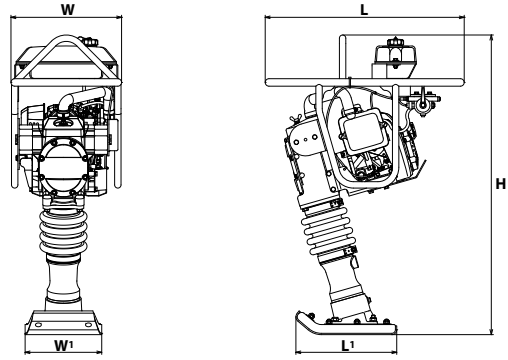


MODEL			PF150	PF281
CHASSIS MODEL			VPF7	5PF12
WEIGHTS	Max. operating weight	kg (lbs)	139 (306)	264 (582)
	Operating weight	kg (lbs)	138 (304)	262 (578)
PERFORMANCE	Centrifugal force	kN (lbs) [kgf]	31 (6,970) [3,160]	38 (8,545) [3,880]
	Frequency	Hz (vpm)	93 (5,580)	70 (4,200)
	Working speed	m/min (ft/min)	0-23 (0-75)	
DIMENSIONS	Overall length L	mm (in)	1,130 (44.5)	1,295 (51)
	Overall width W	mm (in)	500 (19.7)	500 (19.7)
	Overall height H	mm (in)	995 (39.2)	1,170 (46.1)
	Vibrating plate W x L ¹	mm (in)	500 x 700 (19.7 x 27.6)	500 x 820 (19.7 x 32.3)
ENGINE	Make / Model		HONDA / GX200	HONDA / GX270
	Type		Gasoline, Air cooled, 4 cycle, 1 cylinder	
	Max. output	kW(HP)/min ⁻¹	4.8 (6.4) / 3,600	6.3 (8.4) / 3,600
	Starting system		Recoil starter	
VIBRATION SYSTEM			Eccentric shaft type	
FLUID CAPACITY	Fuel tank	L (gal)	3.6 (0.95)	5.3 (1.4)
EXTENSION PLATES			-	

- * Specified figures have a tolerance of ±5%.
- * All specifications may be changed without notice.
- * Specified figures are in SI Units, followed by their equivalent in English units of measurement in parentheses.
- * Max. operating weight : Fuel = 100%
- * Operating weight : Fuel = 50%
- * Max. Output shows Maximum output in catalogue of engine manufacturer. It does not always mean max. under operation of the machine.
- * The photos may contain optional equipment and/or attachment.

SPECIFICATIONS

RAMMER



MODEL				RS45		RS55	
CHASSIS MODEL				VRS4		VRS7	
WEIGHTS	Max. operating weight	kg (lbs)		53 (117)		58 (128)	
	Operating weight	kg (lbs)		52 (115)		57 (126)	
PERFORMANCE	Impact blow	kN (lbs) [kgf]		6 (1,320) [610]		12 (2,645) [1,225]	
	Frequency	Hz (vpm)		10.8–11.5 (650–690)			
	Travel speed	m/min (ft/min)		8–12 (26–39)			
	Ramming stroke	mm (in)		40–60 (1.5–2.5)			
DIMENSIONS	Overall length L	mm (in)		675 (26.5)			
	Overall width W	mm (in)		375 (15)			
	Overall height H	mm (in)		1,015 (40)			
	Ramming shoe W ¹ × L ¹	mm (in)		230 × 340 (9 × 13.5)		260 × 340 (10 × 13.5)	
ENGINE	Make / Model			HONDA / GX100			
	Type			Gasoline, Air cooled, 4 cycle, 1 cylinder			
	Max. output	kW(HP)/min ⁻¹		2.3 (3.1) / 4,000			
	Starting system			Recoil starter			
	Carburetor			Float chamber			
FLUID CAPACITY	Fuel tank	L (gal)		2.8 (0.74)			
MULTI AIR CLEANER				○			
ONE THROTTLE LEVER				○			
TRANSPORT WHEELS				OPTION			
HAND CART				OPTION			

MODEL				RS65		RS75	
CHASSIS MODEL				VRS2		VRS3	
WEIGHTS	Max. operating weight	kg (lbs)		70 (154)		76 (168)	
	Operating weight	kg (lbs)		69 (152)		75 (165)	
PERFORMANCE	Impact blow	kN (lbs) [kgf]		15 (3,375) [1,530]		18 (4,050) [1,835]	
	Frequency	Hz (vpm)		10.8–11.5 (650–690)			
	Travel speed	m/min (ft/min)		12–16 (39–52)			
	Ramming stroke	mm (in)		50–70 (1.5–3.0)			
DIMENSIONS	Overall length L	mm (in)		740 (29)			
	Overall width W	mm (in)		395 (16)			
	Overall height H	mm (in)		1,040 (41)			
	Ramming shoe W ¹ × L ¹	mm (in)		280 × 340 (11 × 13.5)			
ENGINE	Make / Model			HONDA / GX100		HONDA / GXR120	
	Type			Gasoline, Air cooled, 4 cycle, 1 cylinder			
	Max. output	kW(HP)/min ⁻¹		2.1 (2.8) / 3,600		2.7 (3.6) / 3,600	
	Starting system			Recoil starter			
	Carburetor			Diaphragm chamber			
FLUID CAPACITY	Fuel tank	L (gal)		2.8 (0.74)			
MULTI AIR CLEANER				○			
ONE THROTTLE LEVER				○			
TRANSPORT WHEELS				OPTION			
HAND CART				OPTION			

- * Specified figures have a tolerance of ±5%.
- * All specifications may be changed without notice.
- * Specified figures are in SI Units, followed by their equivalent in English units of measurement in parentheses.
- * Max. operating weight : Fuel = 100%
- * Operating weight : Fuel = 50%
- * Max. Output shows Maximum output in catalogue of engine manufacturer. It does not always mean max. under operation of the machine.
- * The photos may contain optional equipment and/or attachment.

SAKAI

MASTERS OF COMPACTION



ISO9001 certified Tokyo Head Office,
Tokyo Factory, Global Service Division,
Research & Development (R&D) HQ.



SAKAI HEAVY INDUSTRIES, LTD.

HEAD OFFICE: 1-4-8, SHIBA DAIMON, MINATO-KU, TOKYO JAPAN

TELEPHONE: +81-3-3431-9971

FACSIMILE: +81-3-3436-6212